

A-01sp

02s



A-01sp



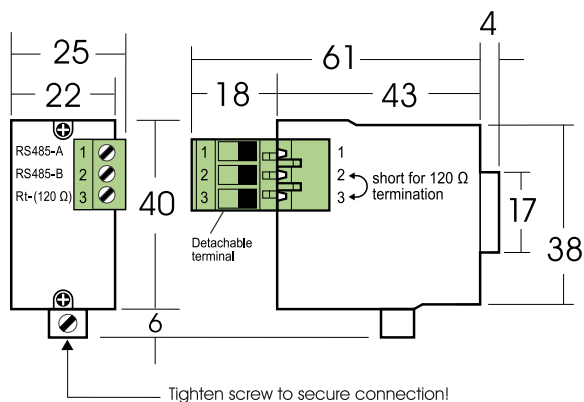
A-02s

Models

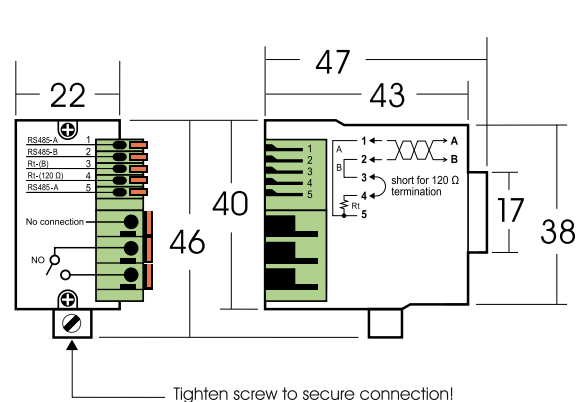
A-01sp : RS485 Modbus RTU
For : All **DP series**
PQM-1000s
DM-50
NV-5 & NV-7

A-02s : RS485 Modbus RTU + 1 output contact
(**Only for DP-34 & DM-50**)
Output Contact Rating: SPST 3A / 5A, 250 VAC
3A / 5A, 30 VDC

casing dimension: A-01sp

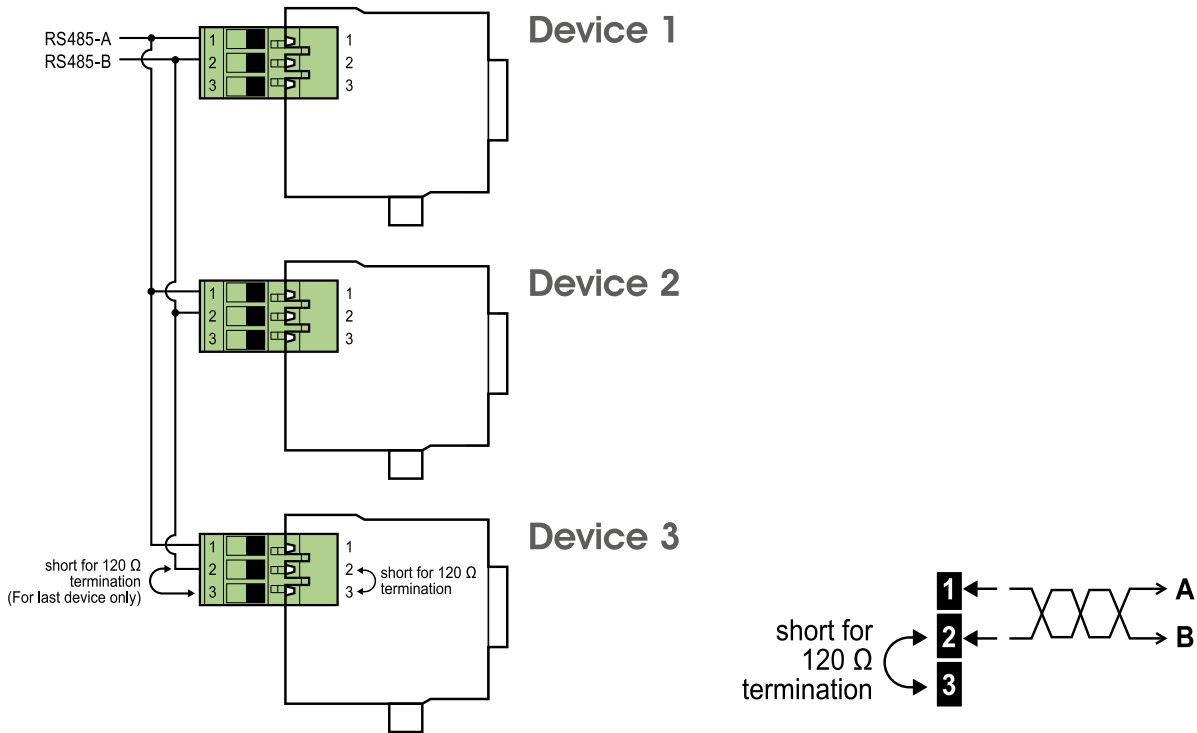


casing dimension: A-02s

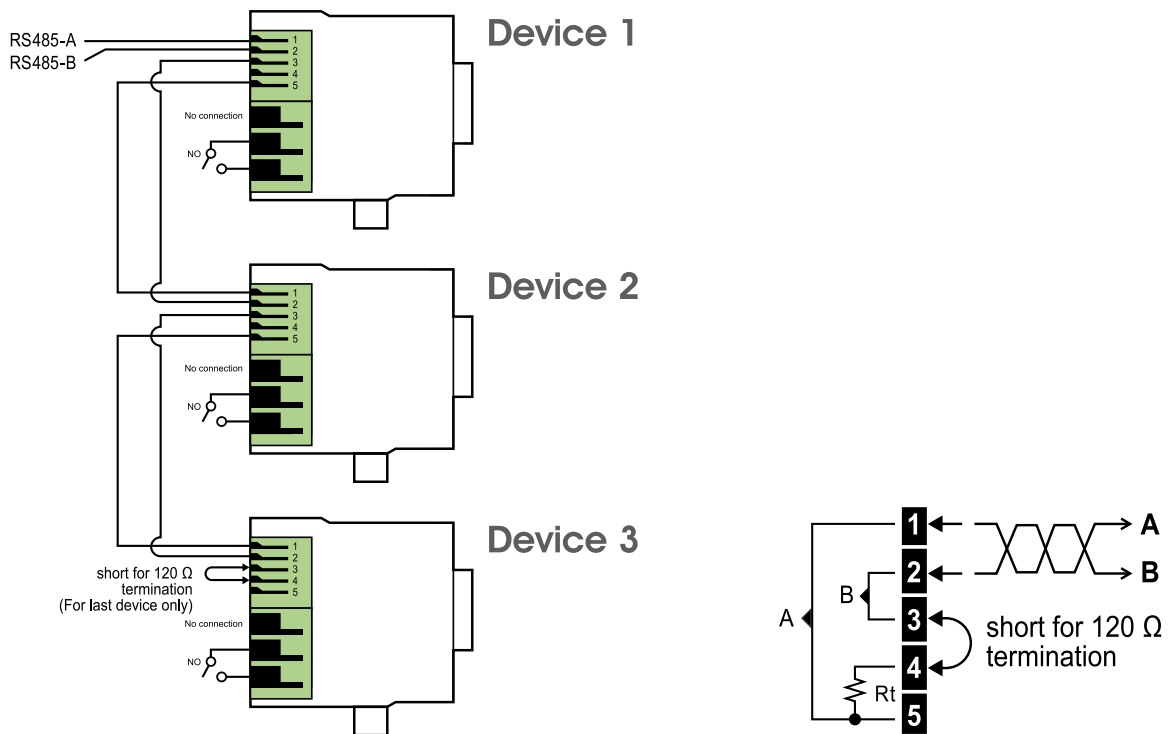


All measurement in mm.

A-01sp (Multiple Devices Connection Guide)



A-02s (Multiple Devices Connection Guide)



ordering information

Model	Description
A-01sp	RS485 Modbus RTU
A-02s	RS485 Modbus RTU + 1 output contact