

Weekly / Astronomical Digital Time Switch

DTS-100/101/102

features

200A



DTS-100/101/200A



DTS-102

Digital Time Switch with:

Daily / Weekly / ***Astronomical Program

*LCD Display with Backlight (except for DTS-100)

Holiday Mode

Pulse Setting (except for DTS-200A)

Single / * Double Channel

3 Years Power Reserve (lithium battery)

52 Programs / * 80 Programs / **52 Programs

Sealable Front Cover

Manual Control by Keys Combination

Automatic Transfer of Weekdays

Double Module

Din-rail Mount (TH-35 rail)

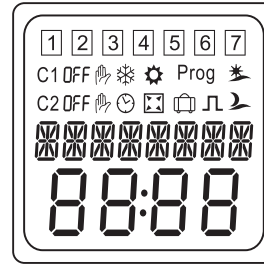
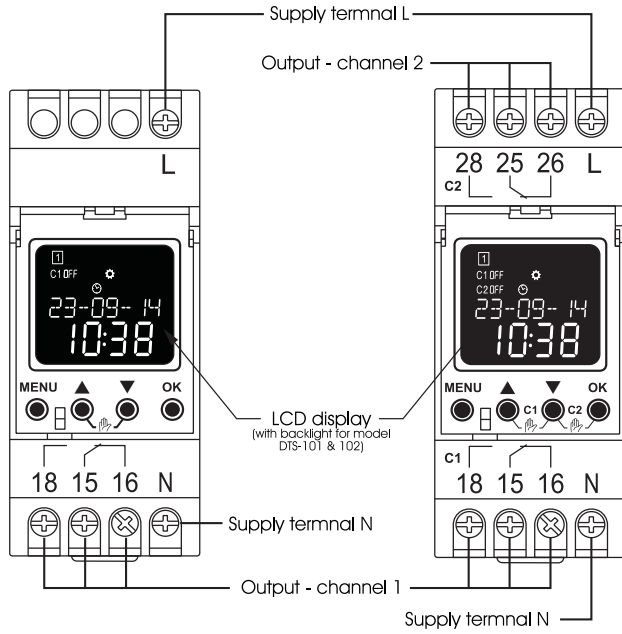
technical data

Model	DTS-100	DTS-101	DTS-102	DTS-200A
Supply terminals	L - N			
Rated voltage	AC 220 ~ 240 ±10%	AC / DC 24 ~ 264 V ±10%		
Rated frequency	50 / 60 Hz			
Power consumption	1W		2W	1W
Number of programs	52		80	52
Program	Daily / Weekly / Pulse			+Astronomical
Mode of work	Manual , Automatic , Holiday / **Random (for DTS-200A only)			
Summer / winter time	OFF , Automatic changes			
Time tolerance	≤ 1s / day at 25° C			≤ 1 sec / day @ 20° C
Power reserve	3 yrs			
Data readout	LCD display	LCD display with backlit		
Number of contacts	1 C/O		2 C/O	1 C/O
Current of contacts	16 A / 250 V AC1			
Switching capacity	4000 VA / AC1 , 384 W / DC			
Mechanical life	10 ⁵			
Electrical life	10 ⁵			
Rated insulation voltage	250 V			
Protection degree	IP 20			
Pollution degree	3			
Altitude	≤ 2000 m			
Ambient temperature	-20° C ~ +55° C			-30° C ~ +55° C
Permissible relative humidity	≤ 50% (40° C, without condensation)			
Storage temperature	-30° C ~ +70° C			
Wire size	1 mm ² ~ 4 mm ²			
Tightening torque	0.5 Nm			
Mounting	TH-35 Rail (EN60715)			
Weight	approx. 210 g			
Enclosure protection	IP 20			
Standard	EN 60730-1 / EN 60730-2-7			

(*) DTS-101/102 (**) DTS-102 (***) DTS-200A

*Specification subject to change without prior notification (please visit www.delab.com.my for latest specification)

panel description



1 2 3 4 5 6 7

Days of the week
Monday, Tuesday . . . Sunday

C1 Channel 1

C2 Channel 2 (for model DTS-102)

Relay status On Activate
 OFF Deactivate

Automatic mode

Manual mode

Holiday mode

Random mode (for model DTS-200A)

Sunrise (for model DTS-200A)

Sunset (for model DTS-200A)

Winter time

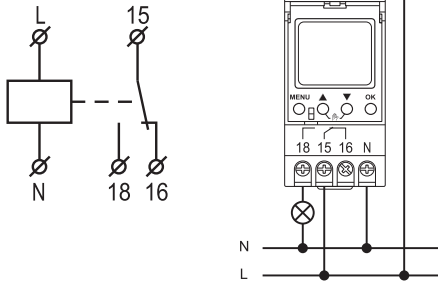
Summer time

Prog Program setting

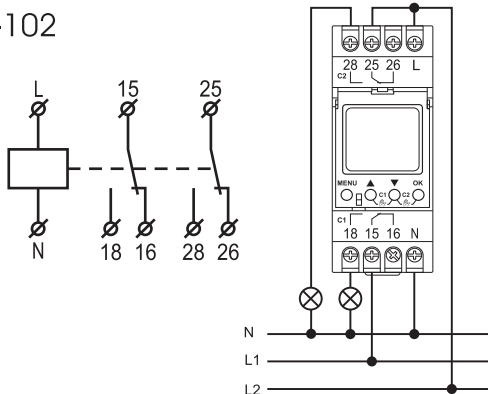
Pulse setting (for model DTS-100/101/102 only)

wiring diagram

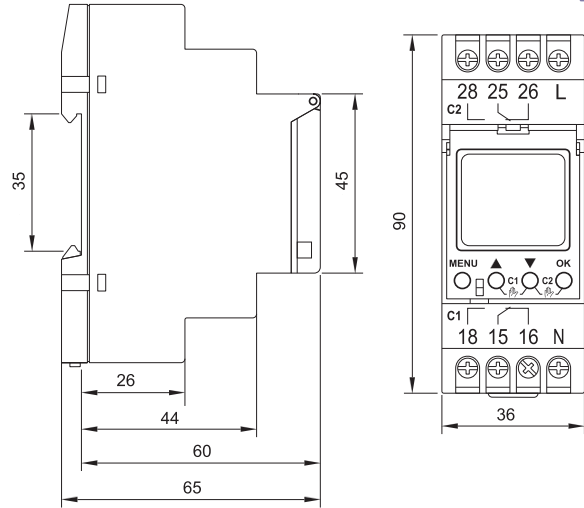
DTS-100 / 101 / 200A



DTS-102



casing dimension



ordering information

Model	Description
DTS-100	220~240 Vac
DTS-101	24~264 Vac / dc
DTS-102	24~264 Vac / dc
DTS-200A	24~264 Vac / dc

Note: All measurement in mm.