

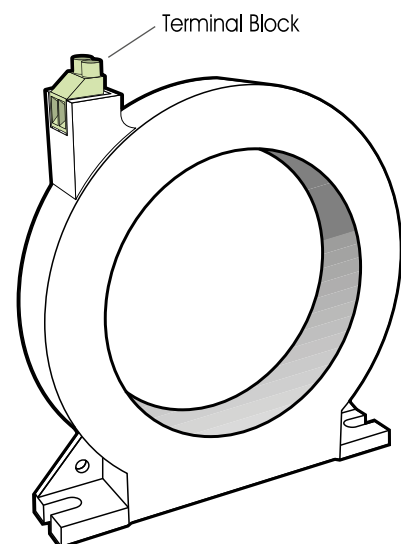
ZPC-30



45
65
80
100
150
200

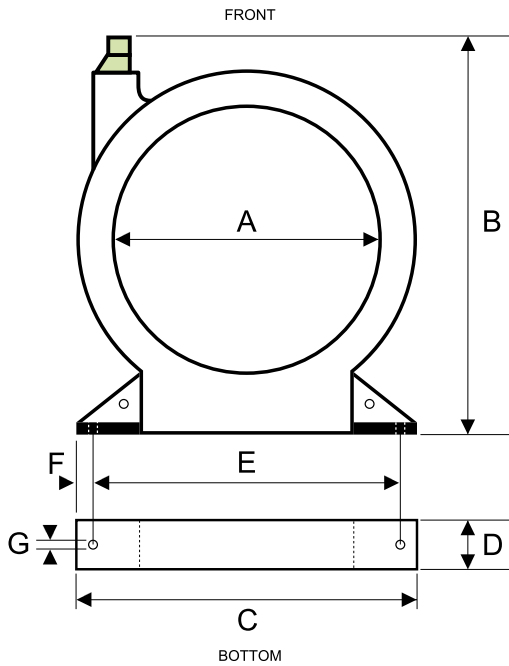
technical data

Frequency	: 50 / 60 Hz
Current Ratio	: 200 / 1.5
Insulation	: 600V / 50 Hz 1 min.
Sec. Burden	: 10 VA
Connection	: Terminal Block



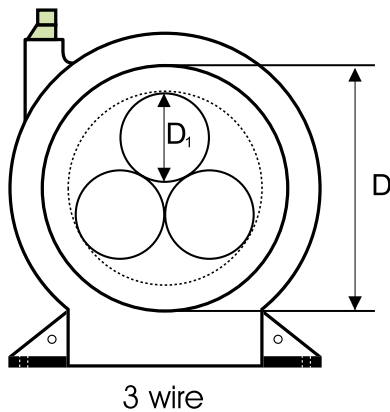
For optimum performance and accuracy, we recommend that you use only the original Z.C.T. intended for use with the device. Using others Z.C.T. could compromise on the performance or accuracy. The warranty does not cover product failures which have been caused by use of other Z.C.T.

casing dimension

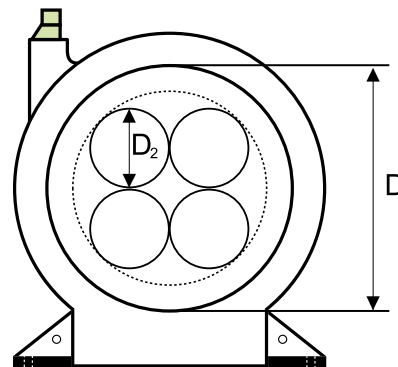


ZPC model	30	45	65	80	100	150	200
Applicable Current range	0~100A	0~160A	0~225A	0~400A	0~630A	0~1250A	0~1500A
A (mm)	30	45	65	80	100	150	200
B (mm)	85	100	120	135	152	206	274
C (mm)	75	98	124	140	167	224	295
D (mm)	25	28	28	32	32	32	40
E (mm)	70	87	112	123	153	207	280
F (mm)	3	5	6	9	7	10	9
G (mm)	5	5	6	6	6	6	6
Weight (kg)	~0.14	~0.21	~0.28	~0.46	~0.65	~1.1	~2.2

calculation to determine inner diameter of ZCT required



3 wire



4 wire

model ZPC	30	45	65	80	100	150	200
D (ZCT inner diameter mm)	30	45	65	80	100	150	200
D ₁ (3 wire max cable diameter mm)	9	16	24	32	40	60	82
D ₂ (4 wire max cable diameter mm)	8	14	22	29	36	54	75

ordering information

Model	Description	Model	Description
ZPC-30	Hole diameter 30mm	ZPC-100	Hole diameter 100mm
ZPC-45	Hole diameter 45mm	ZPC-150	Hole diameter 150mm
ZPC-65	Hole diameter 65mm	ZPC-200	Hole diameter 200mm
ZPC-80	Hole diameter 80mm		

Note: All measurement in mm.